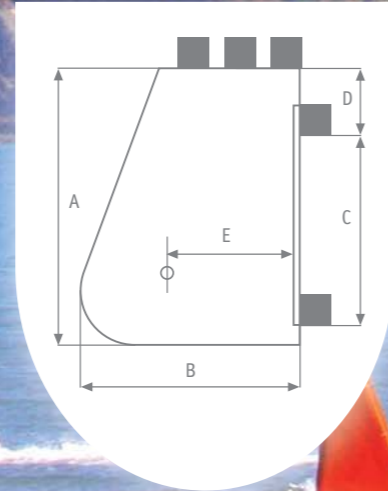


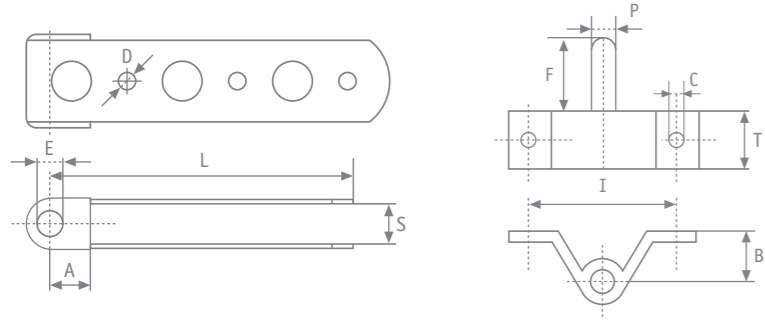
Testa timone in lega leggera anodizzata dura a spessore + PTFE completa di agugliotti con perno Ø mm 10 e barra lunghezza cm 100  
Adatta per pala spessore mm 20

Hardcote + PTFE anodised aluminium rudder head with transom pintles [3/8"Ø] and tiller, [length 3'33/8"]  
For 25/32 IN. thickness



	A		B		C		D		E	
	mm	IN.	mm	IN.	mm	IN.	mm	IN.	mm	IN.
<b>51.01</b>	330	13	212	8 <sup>3/8</sup>	220	8 <sup>5/8</sup>	90	3 <sup>17/32</sup>	115	4 <sup>1/2</sup>
<b>51.05</b>	240	9 <sup>7/16</sup>	200	7 <sup>7/8</sup>	165	6 <sup>1/2</sup>	75	2 <sup>15/16</sup>	160	6 <sup>5/16</sup>

Fermo per timone	<b>51.06</b>	Rudder retaining clip
------------------	--------------	-----------------------



	A		S		D		L		E	
	mm	IN.	mm	IN.	mm	IN.	mm	IN.	mm	IN.
<b>52.05</b>	12	1/2	12	1/2	5	3/16	75	2 <sup>15/16</sup>	8	5/16
<b>52.06</b>	12	1/2	16	5/8	5	3/16	103	4 <sup>1/16</sup>	8	5/16
<b>52.07</b>	13	17/32	25	1	5	3/16	130	5 <sup>1/8</sup>	10	3/8
<b>52.08</b>	17	11/16	35	1 <sup>3/8</sup>	5	3/16	132	5 <sup>3/16</sup>	10	3/8
<b>52.09</b>	12	1/2	12	1/2	5	3/16	108	4 <sup>1/4</sup>	8	5/16
<b>52.10</b>	12	1/2	16	5/8	5	3/16	136	5 <sup>3/8</sup>	8	5/16
<b>52.11</b>	13	17/32	25	1	5	3/16	177	7	10	3/8
<b>52.12</b>	17	11/16	35	1 <sup>3/8</sup>	5	3/16	179	7 <sup>1/8</sup>	10	3/8

	I		P		C		T		B		F	
	mm	IN.	mm	IN.	mm	IN.	mm	IN.	mm	IN.	mm	IN.
<b>52.13</b>	50	2	8	5/16	5	3/16	20	25/32	18	11/16	31	1 <sup>1/4</sup>
<b>52.14</b>	50	2	8	5/16	5	3/16	20	25/32	18	11/16	40	1 <sup>9/16</sup>
<b>52.15</b>	60	2 <sup>3/8</sup>	10	3/8	6	1/4	25	1	21	13/16	35	1 <sup>3/8</sup>
<b>52.16</b>	60	2 <sup>3/8</sup>	10	3/8	6	1/4	25	1	21	13/16	44	1 <sup>3/4</sup>
<b>52.17</b>	50	2	8	5/16	5	3/16	30	1 <sup>3/16</sup>	18	11/16	31	1 <sup>1/4</sup>
<b>52.18</b>	50	2	8	5/16	5	3/16	30	1 <sup>3/16</sup>	18	11/16	40	1 <sup>9/16</sup>
<b>52.19</b>	60	2 <sup>3/8</sup>	10	3/8	6	1/4	40	1 <sup>9/16</sup>	21	13/16	35	1 <sup>3/8</sup>
<b>52.20</b>	60	2 <sup>3/8</sup>	10	3/8	6	1/4	40	1 <sup>9/16</sup>	21	13/16	44	1 <sup>3/4</sup>

Anodica dura + PTFE

Hardcote + PTFE anodised aluminium

>Attrezzatura per timoni-teste timone

>Rudder fittings - Rudder heads



www.viadana.it www.viadana.it www.viadana.it www.viadana.it www.viadana.it www.viadana.it www.viadana.it www.viadana.it www.viadana.it www.viadana.it

info@viadana.it info@viadana.it info@viadana.it info@viadana.it info@viadana.it info@viadana.it info@viadana.it info@viadana.it info@viadana.it info@viadana.it